

# Technical data sheet

## Product features



### Cooking range electric

<b>Model</b>	<b>SAP Code</b>	00014775
--------------	-----------------	----------



- Device type: Electric unit
- Power consumption of the zone 1 [kW]: 2,5
- Power consumption of the zone 2 [kW]: 2,5
- Power consumption of the zone 3 [kW]: 2,5
- Power consumption of the zone 4 [kW]: 2,5
- Protection of controls: IP24
- Material: AISI 304 top plate and cladding

<b>SAP Code</b>	00014775	<b>Number of zones</b>	4
<b>Net Width [mm]</b>	800	<b>Power consumption of the zone 1 [kW]</b>	2,5
<b>Net Depth [mm]</b>	730	<b>Power consumption of the zone 2 [kW]</b>	2,5
<b>Net Height [mm]</b>	300	<b>Power consumption of the zone 3 [kW]</b>	2,5
<b>Net Weight [kg]</b>	40.00	<b>Power consumption of the zone 4 [kW]</b>	2,5
<b>Power electric [kW]</b>	10.000	<b>Solid top dimensions [mm x mm]</b>	300 x 300
<b>Loading</b>	400 V / 3N - 50 Hz		

# Technical data sheet

Technical drawing

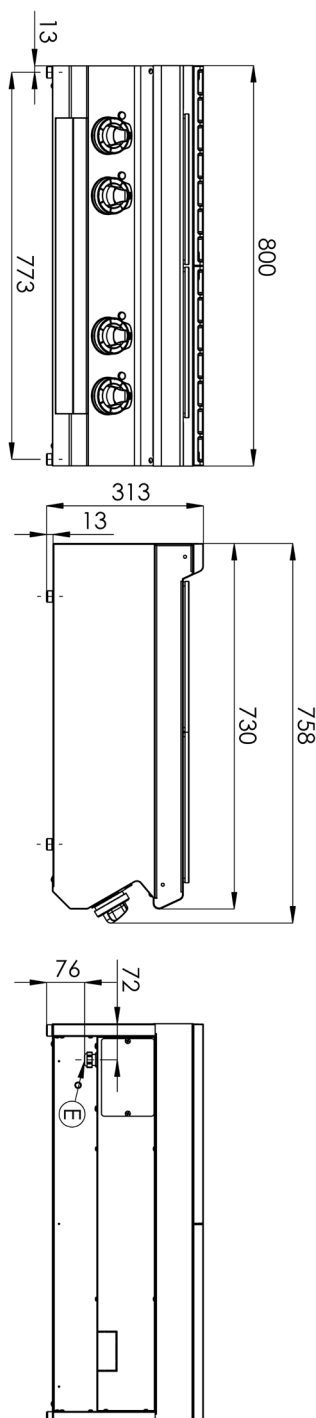


Cooking range electric

Model

SAP Code

00014775



# Technical data sheet

Technical parameters



## Cooking range electric

**Model**

**SAP Code**

00014775

**1. SAP Code:**

00014775

**2. Net Width [mm]:**

800

**3. Net Depth [mm]:**

730

**4. Net Height [mm]:**

300

**5. Net Weight [kg]:**

40.00

**6. Gross Width [mm]:**

840

**7. Gross depth [mm]:**

800

**8. Gross Height [mm]:**

480

**9. Gross Weight [kg]:**

49.00

**10. Device type:**

Electric unit

**11. Construction type of device:**

Table top

**12. Power electric [kW]:**

10.000

**13. Loading:**

400 V / 3N - 50 Hz

**14. Protection of controls:**

IP24

**15. Exterior color of the device:**

Stainless steel

**16. Material:**

AISI 304 top plate and cladding

**17. Indicators:**

operation

**18. Worktop type:**

Molded - comfortable cleaning maintenance

**19. Worktop material:**

AISI 304

**20. Worktop Thickness [mm]:**

1.50

**21. Number of zones:**

4

**22. Power consumption of the zone 1 [kW]:**

2,5

**23. Power consumption of the zone 2 [kW]:**

2,5

**24. Power consumption of the zone 3 [kW]:**

2,5

**25. Power consumption of the zone 4 [kW]:**

2,5

**26. Maximum device temperature [°C]:**

400

**27. Minimum device temperature [°C]:**

50

**28. Service accessibility:**

Trough the frontal panel

# Technical data sheet

Technical parameters



## Cooking range electric

Model	SAP Code	00014775

### 29. Number of burners/hot plates:

4

### 31. Solid top dimensions [mm x mm]:

300 x 300

### 30. Type of electric cooking zones:

Squared

### 32. Cross-section of conductors CU [mm<sup>2</sup>]:

2,5

- Výkon (kW): 11-17 (230 V); 19-30 (400 V)